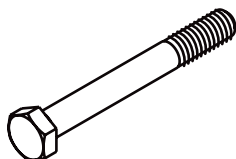


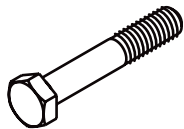
# KAYAKOMAT ASSEMBLY GUIDE

**KAYAKOMAT®**  
BY POINT 65 SWEDEN

# KAYAKOMAT PARTS LIST



K3-BB x39



K3-DD x12



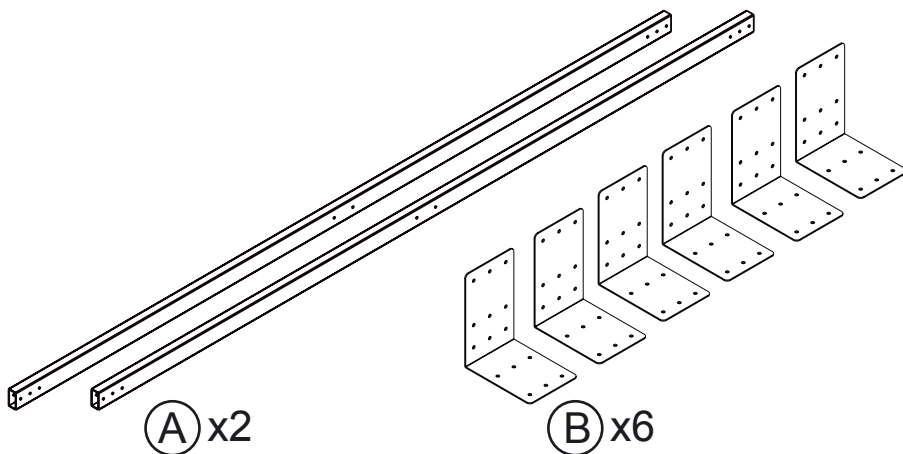
K3-EE x112



K3-AA x326

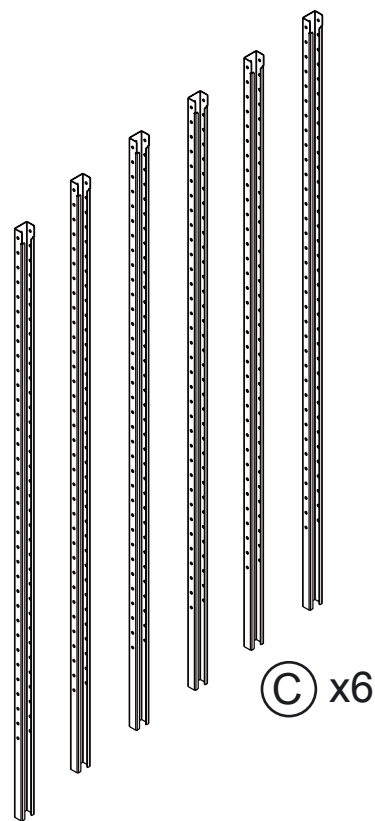


K3-CC x163

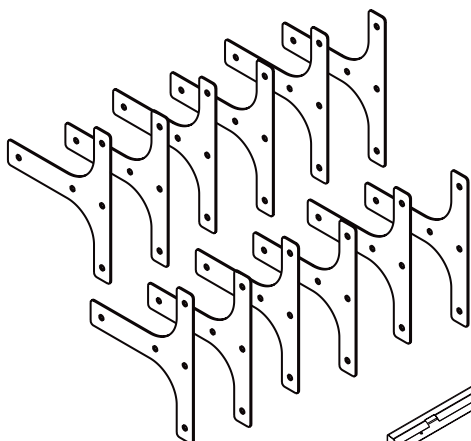


(A) x2

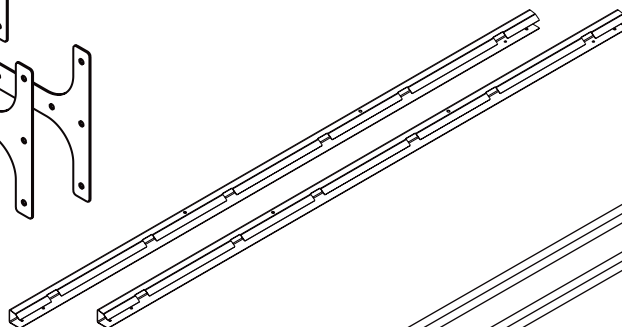
(B) x6



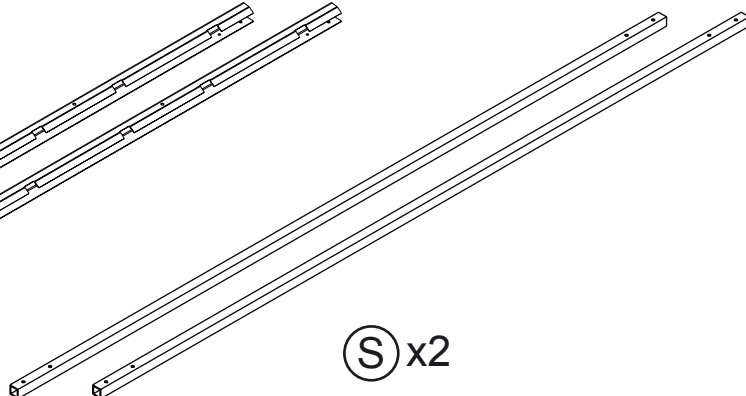
(C) x6



(P) x12

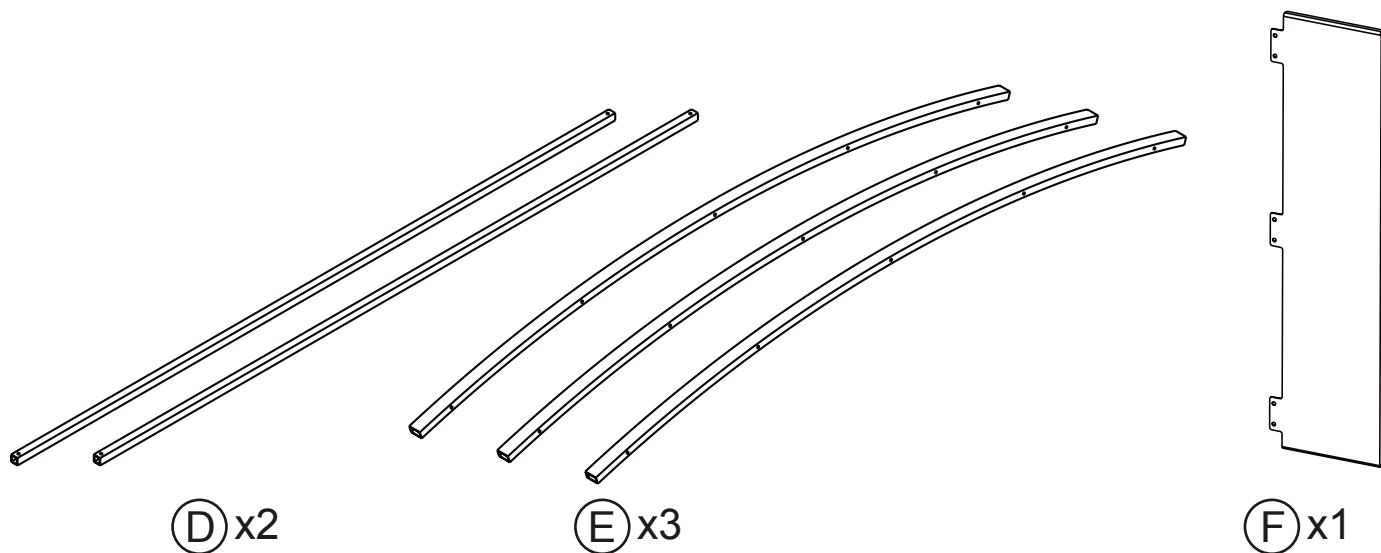
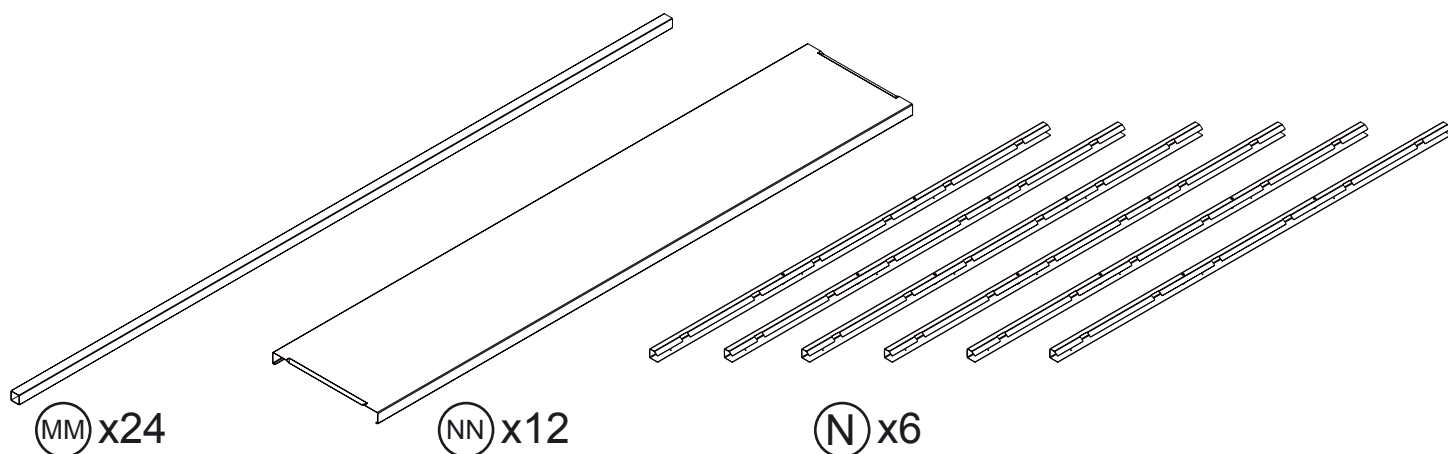
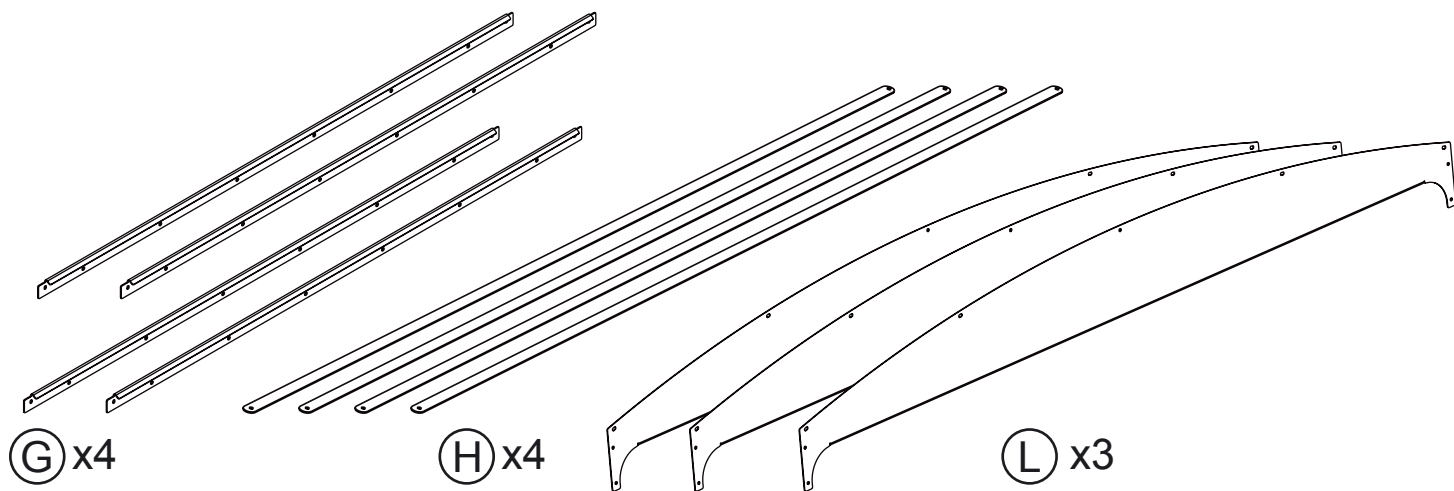


(R) x2

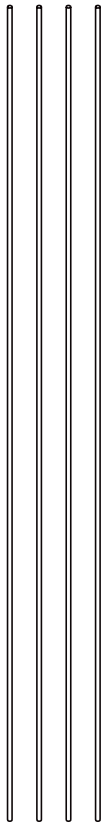


(S) x2

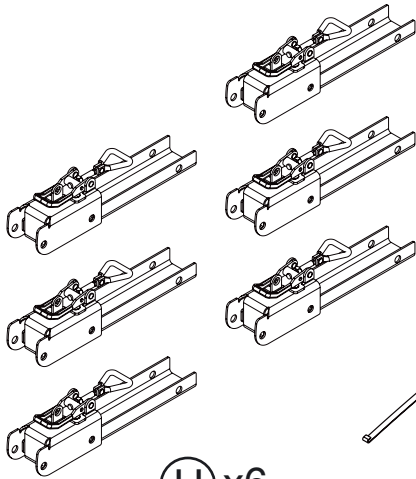
# KAYAKOMAT PARTS LIST



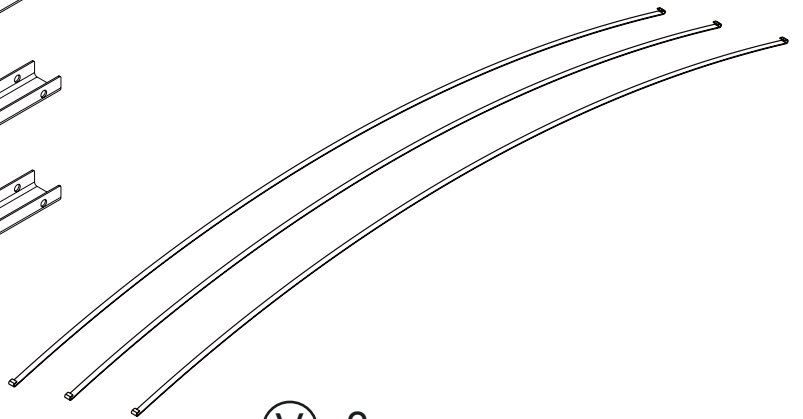
# KAYAKOMAT PARTS LIST



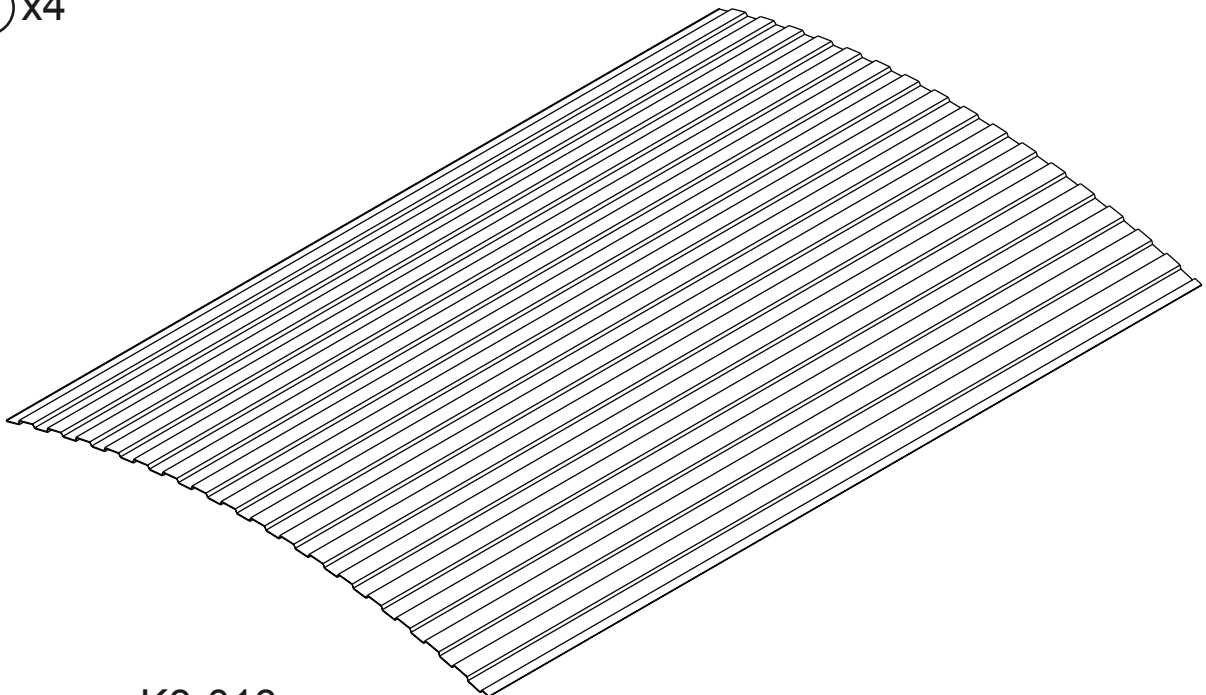
Ⓣ x4



Ⓢ x6

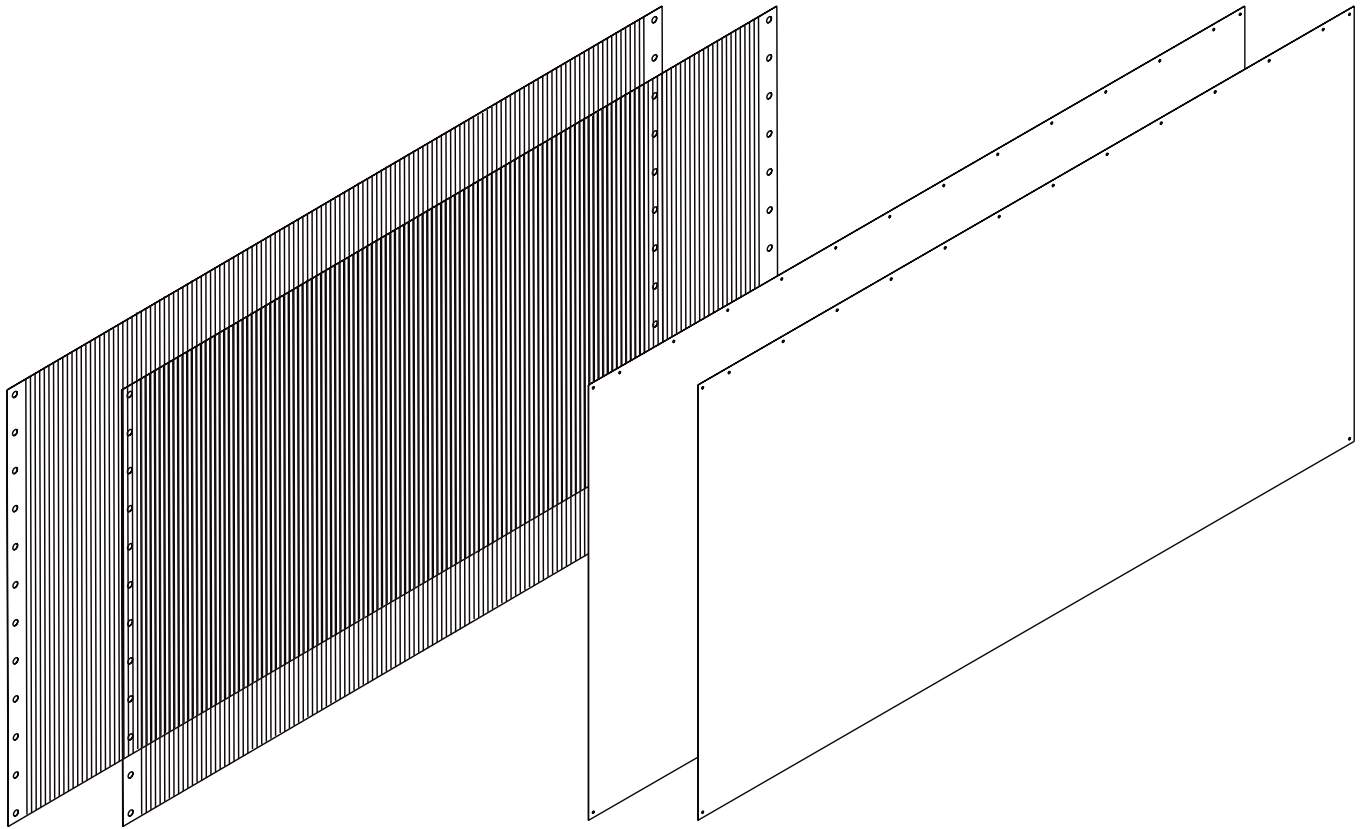


Ⓥ x3



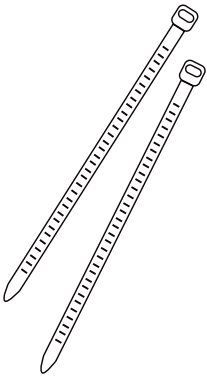
K3-018  
Roof Sheet x6

# KAYAKOMAT PARTS LIST

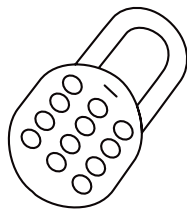


Dividing net x2

Banner x2



K3-033 x100



K3-038  
Lock x12



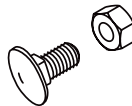
K3-031 x9



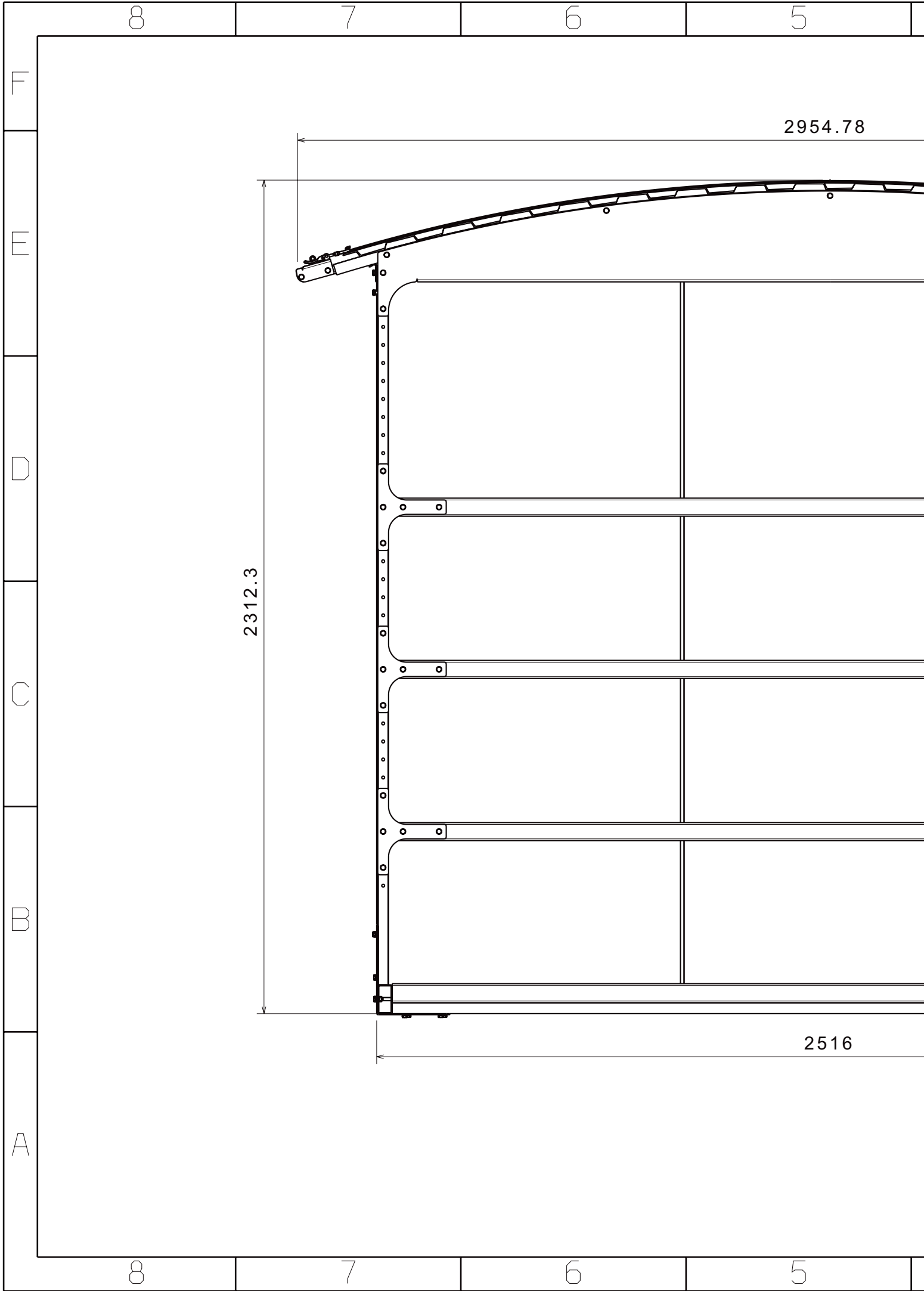
K3-036 x3



K3-036 x12



K3-032 x12



4

3

2

1

F

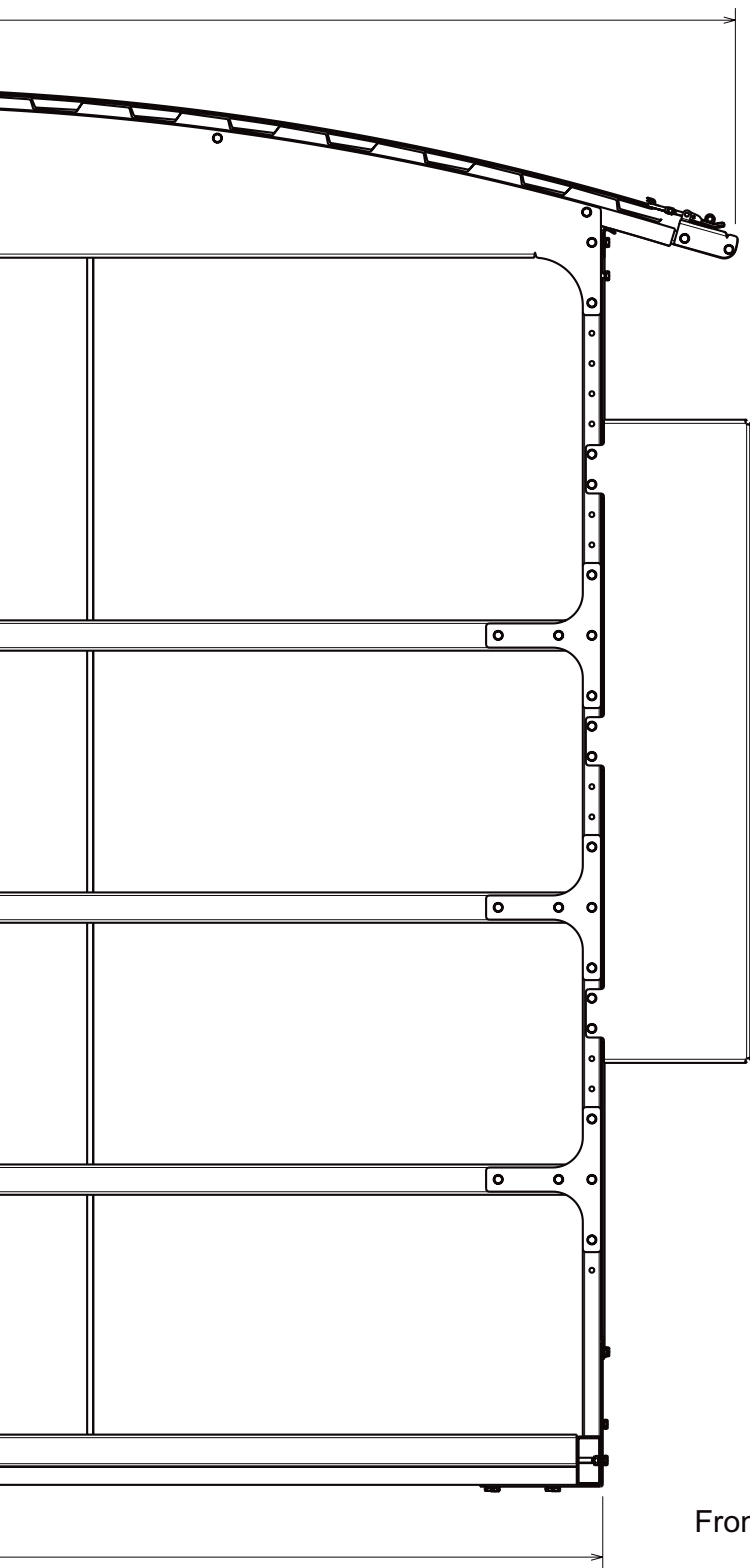
E

D

C

B

A



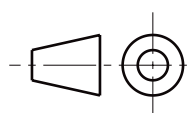
Front view

OVERVIEW 1

**KAYAKOMAT™**

BY POINT 65 SWEDEN

COPYRIGHT POINT 65 SWEDEN AB



1ST ANGLE PROJ  
DIMENSIONS ARE  
IN MILLIMETERS

General tollerances according  
ISO 2768-M

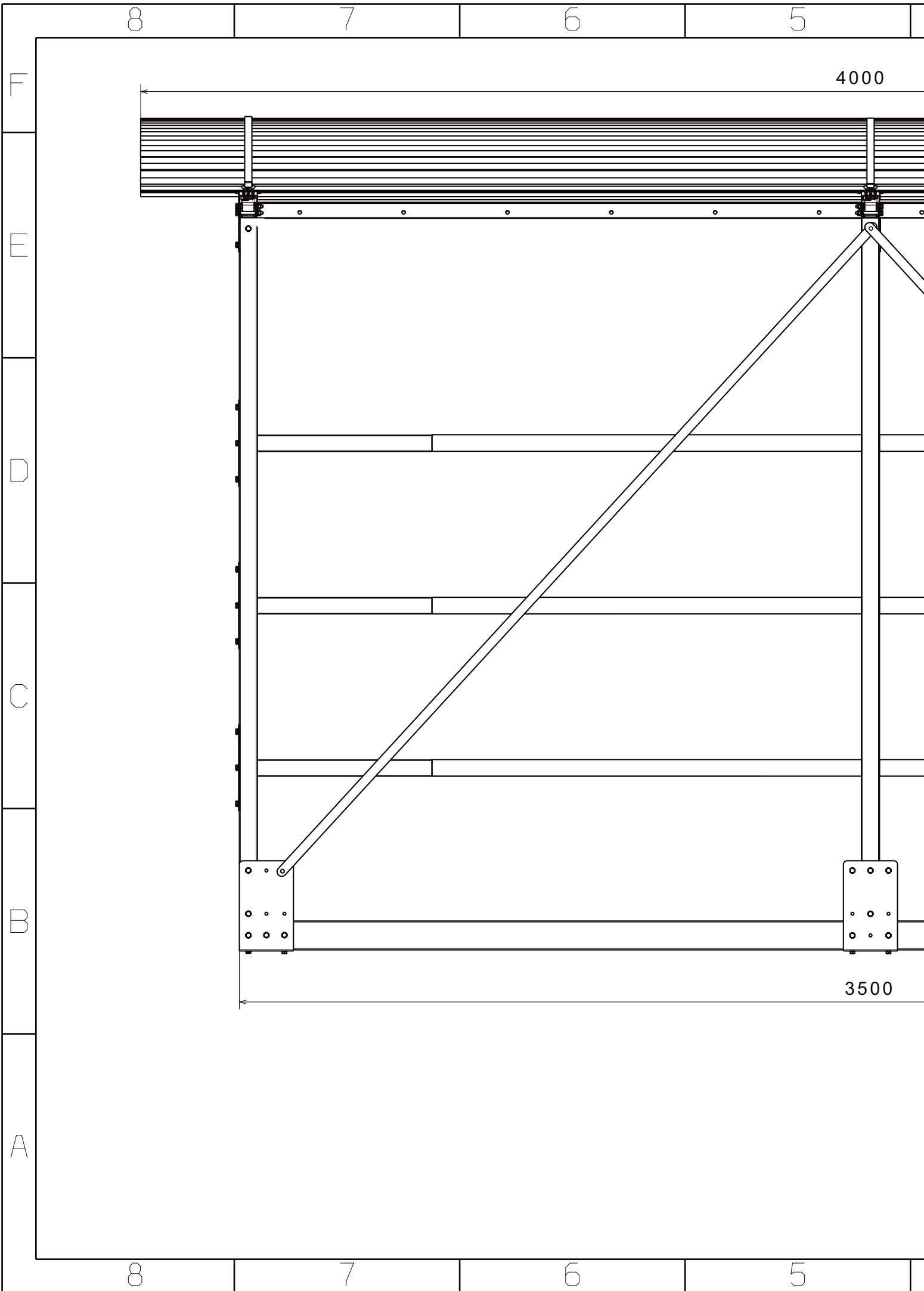
4

3

2

1

2022-01-12



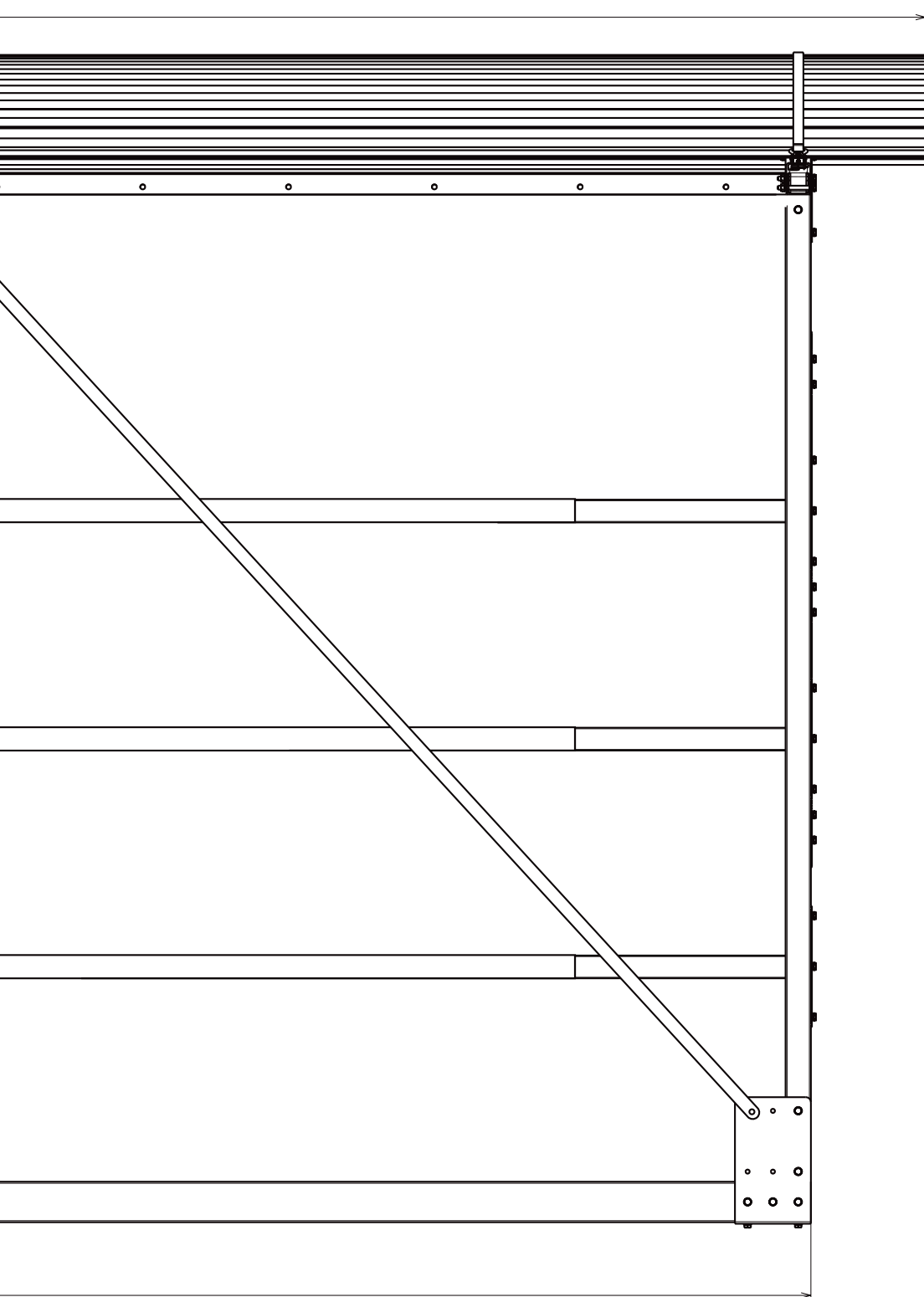


4

3

2

1



Left view

F

E

D

C

B

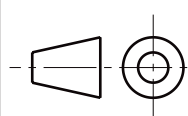
A

OVERVIEW 2

**KAYAKOMAT**<sup>™</sup>

BY POINT 65 SWEDEN

COPYRIGHT POINT 65 SWEDEN AB



1ST ANGLE PROJ  
DIMENSIONS ARE  
IN MILLIMETERS

General tollerances according  
ISO 2768-M

4

3

2

1

2022-01-12

8

7

6

5

F

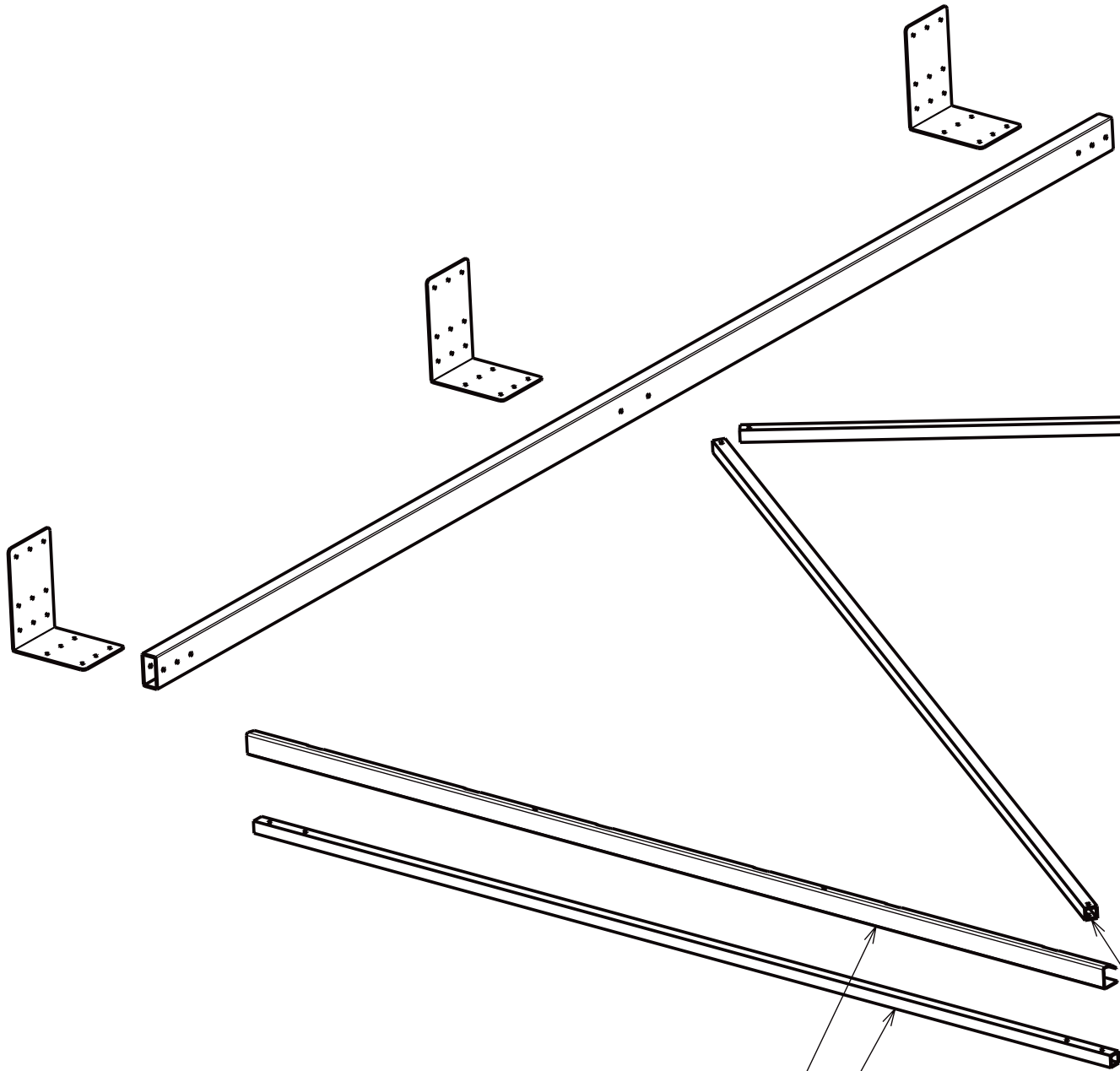
E

D

C

B

A



8

7

6

5

4

3

2

1

F

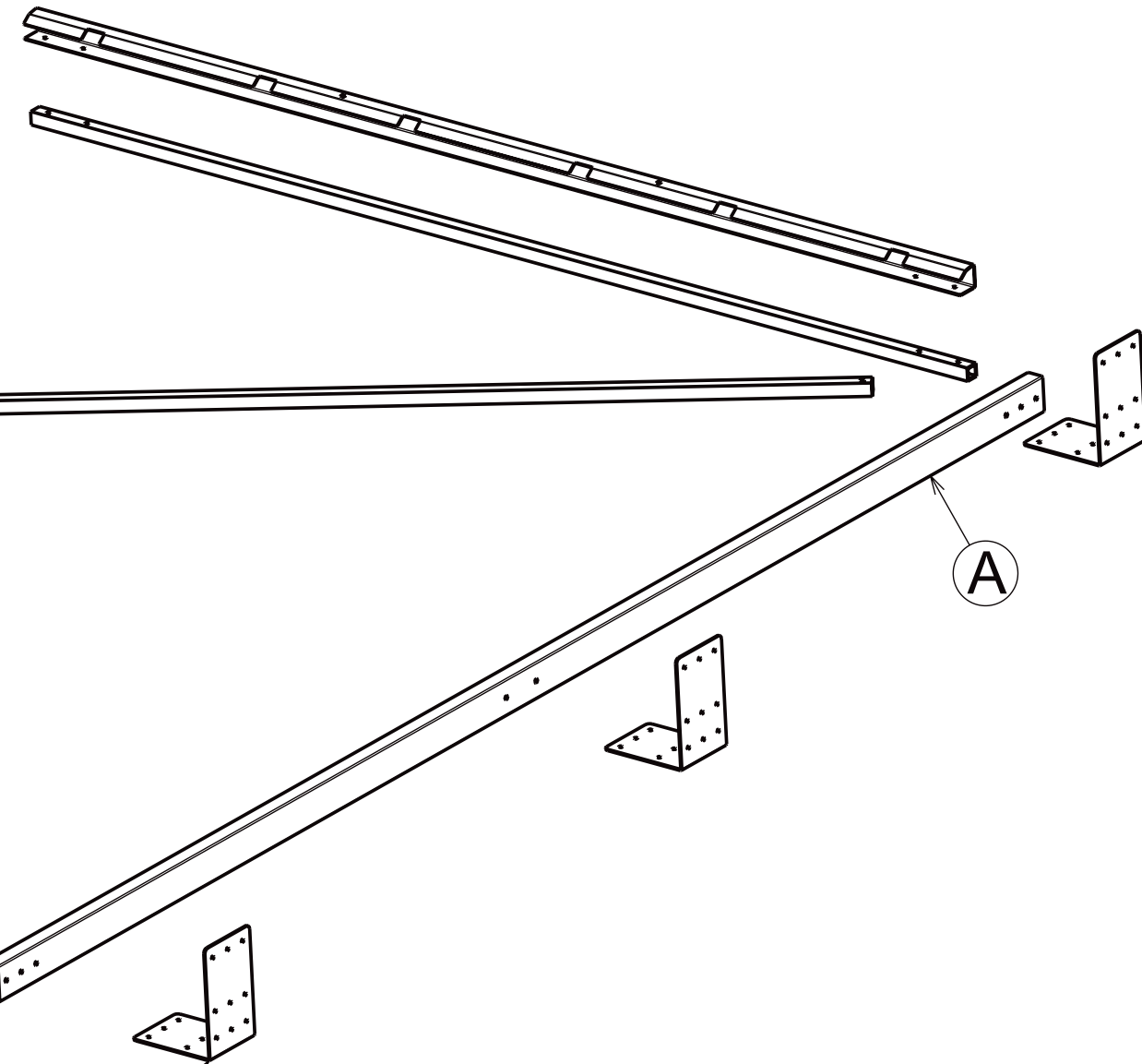
E

D

C

B

A



Bill of Material: Kayakomat Base

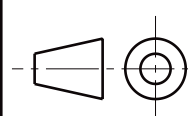
Number	Article no.	Part name
A	K3-001-002	80x40mm Long Base Beam
B	K3-005-006	Post Bracket
D	K3-004-002	30x30mm Stabilizing Beam
R	K3-003-002	Loading Beam Lower
S	K3-002-002	30x30mm Short Base Beam

EXPLODED BASE

**KAYAKOMAT™**

BY POINT 65 SWEDEN

COPYRIGHT POINT 65 SWEDEN AB



1ST ANGLE PROJ

DIMENSIONS ARE  
IN MILLIMETERS

General tollerances according  
ISO 2768-M

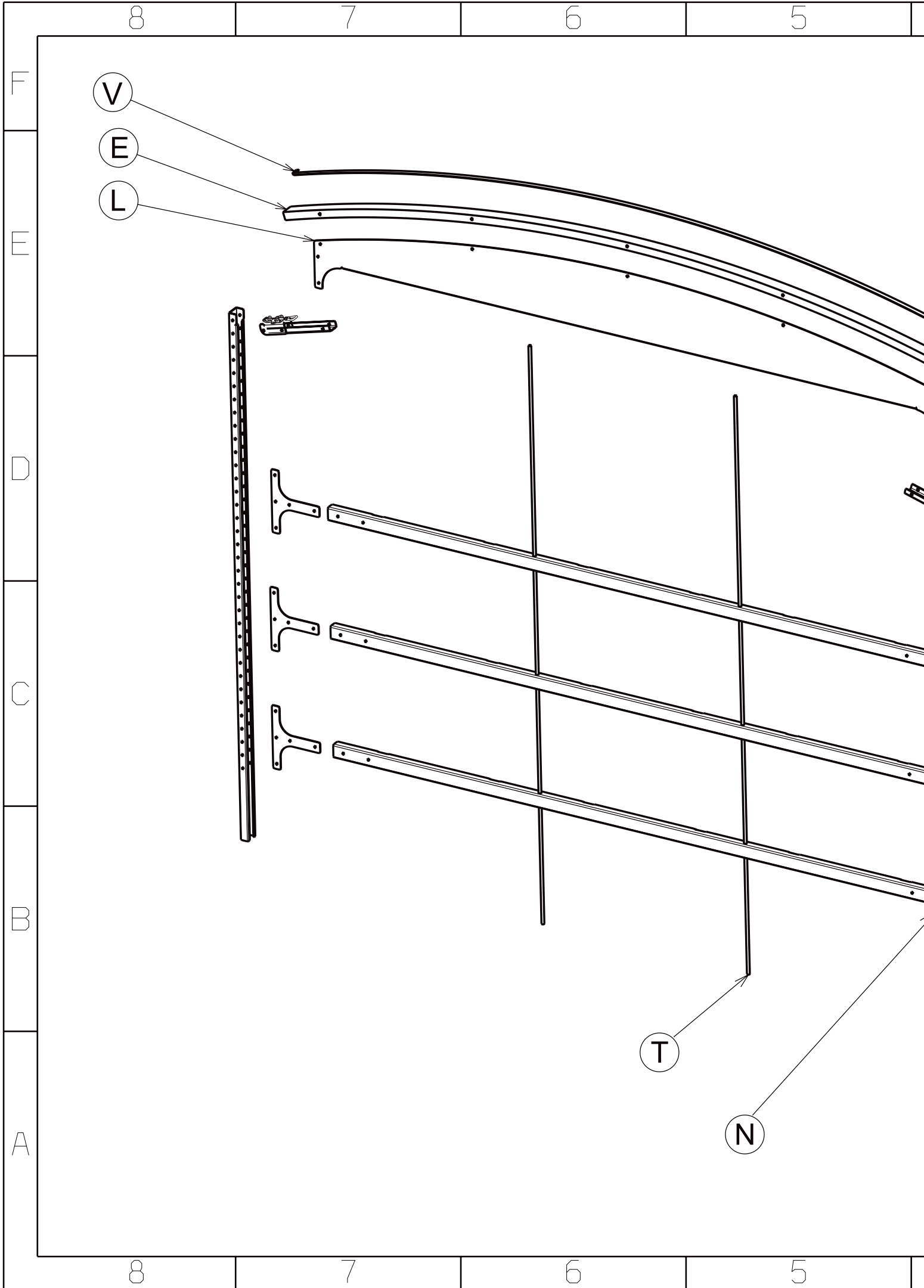
4

3

2

1

2022-01-12



4

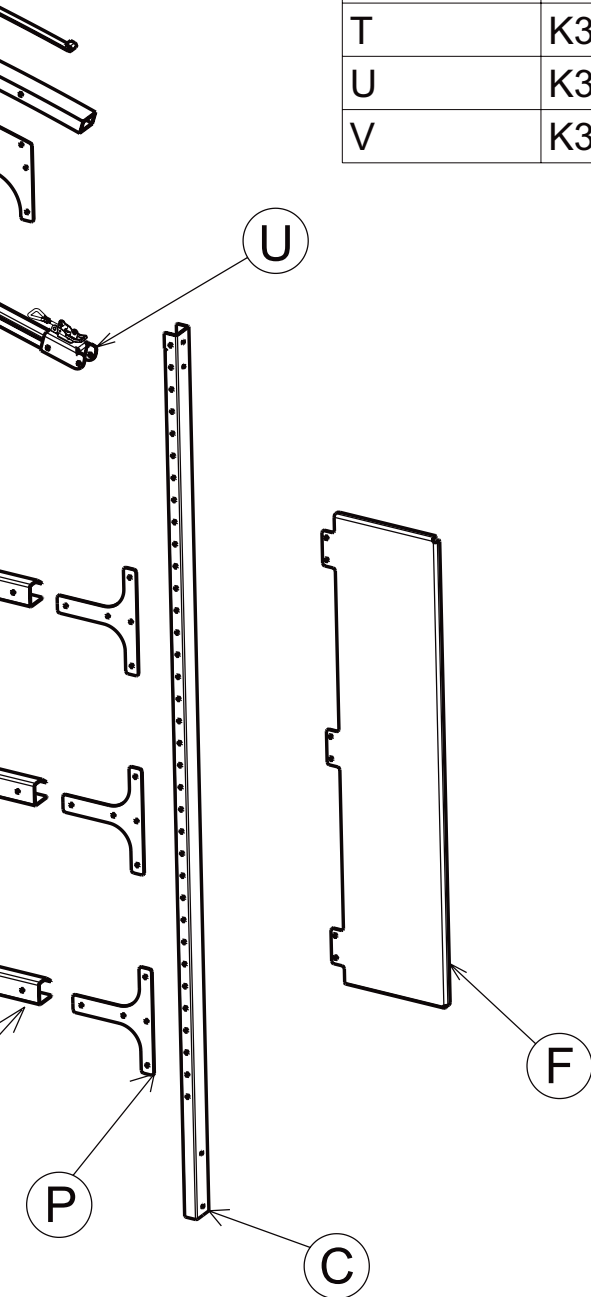
3

2

1

## Bill of Material: Rack

Number	Article no.	Part name
C	K3-006-006	Post
F	K3-016-001	Sign Plate
N	K3-011-006	Loading Beam
E	K3-013-003	Curved Roof Beam
P	K3-009-012	T-Reinforcement
L	K3-010-003	Top Center Plate
T	K3-015-004	Rod 10mm
U	K3-017-006	Roof Eave and Locking
V	K3-019-003	Roof Holding Strips



EXPLODED RACK

**KAYAKOMAT™**  
BY POINT 65 SWEDEN

COPYRIGHT POINT 65 SWEDEN AB

1ST ANGLE PROJ  
DIMENSIONS ARE  
IN MILLIMETERS

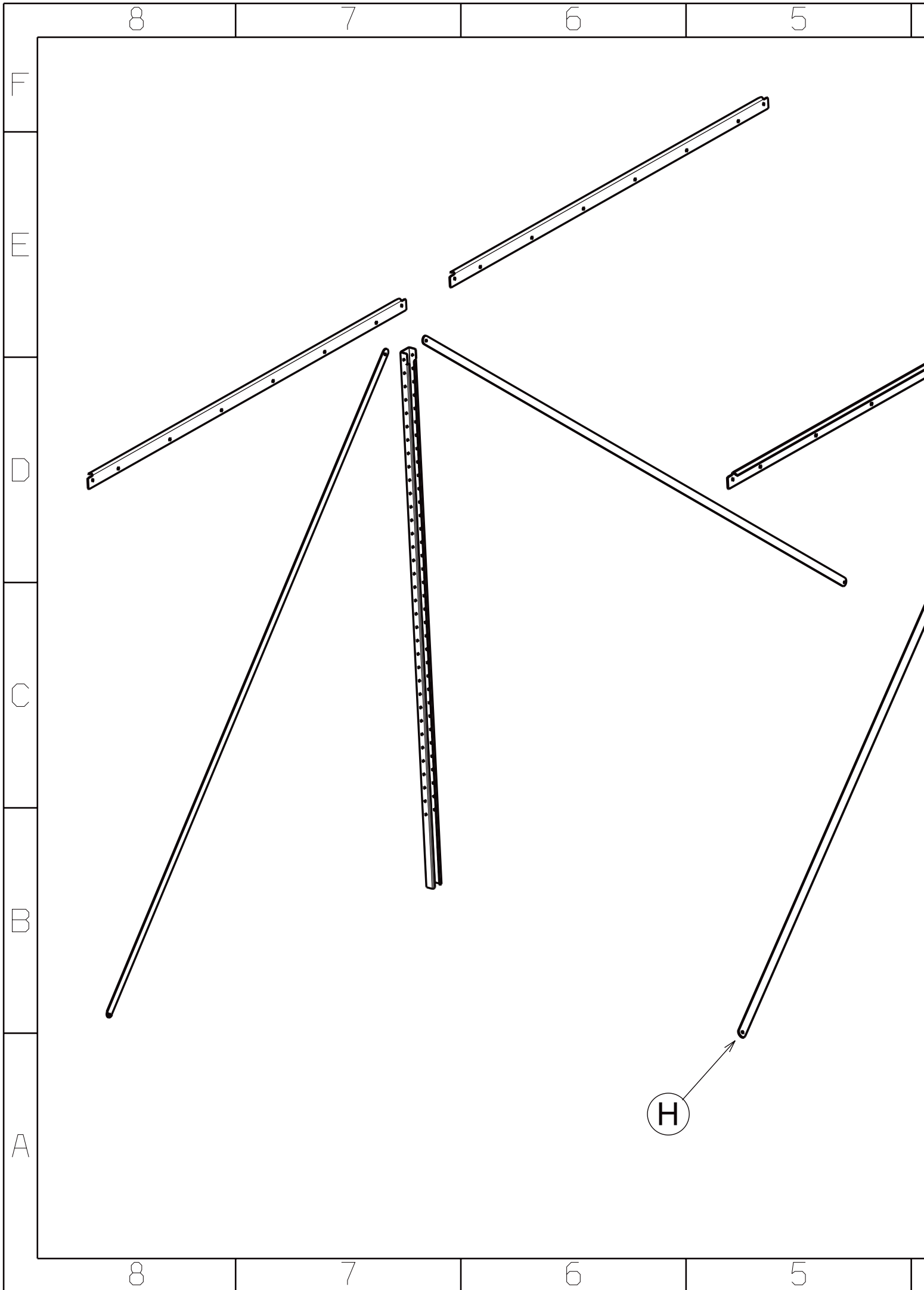
General tollerances according  
ISO 2768-M

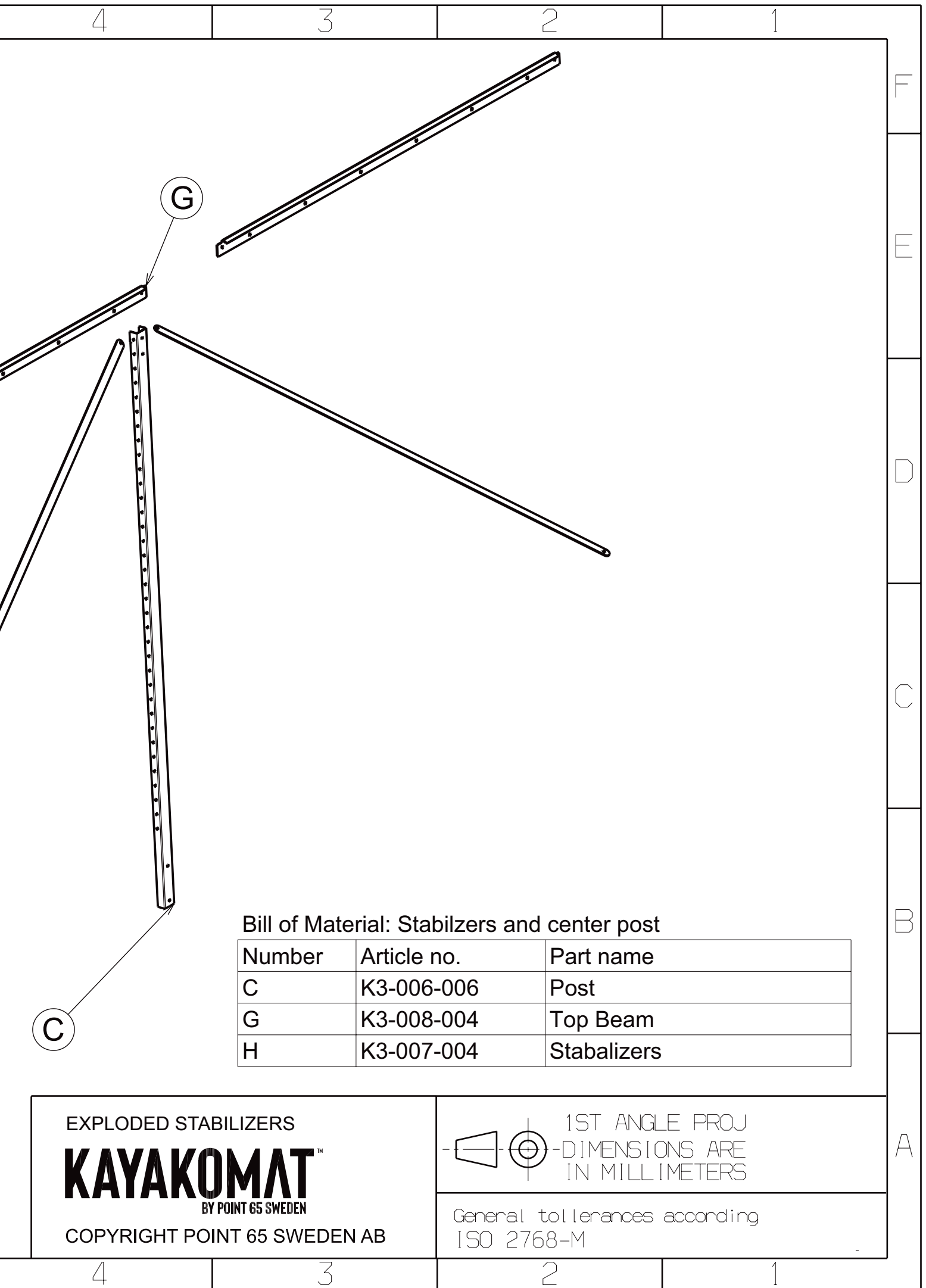
4

3

2

1





Bill of Material: Stabilizers and center post

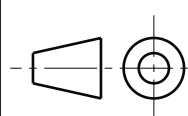
Number	Article no.	Part name
C	K3-006-006	Post
G	K3-008-004	Top Beam
H	K3-007-004	Stabalizers

EXPLODED STABILIZERS

**KAYAKOMAT™**

BY POINT 65 SWEDEN

COPYRIGHT POINT 65 SWEDEN AB



1ST ANGLE PROJ

DIMENSIONS ARE  
IN MILLIMETERS

General tollerances according  
ISO 2768-M

F  
E  
D  
C  
B  
A

2022-01-12

4

3

2

1

8

7

6

5

F

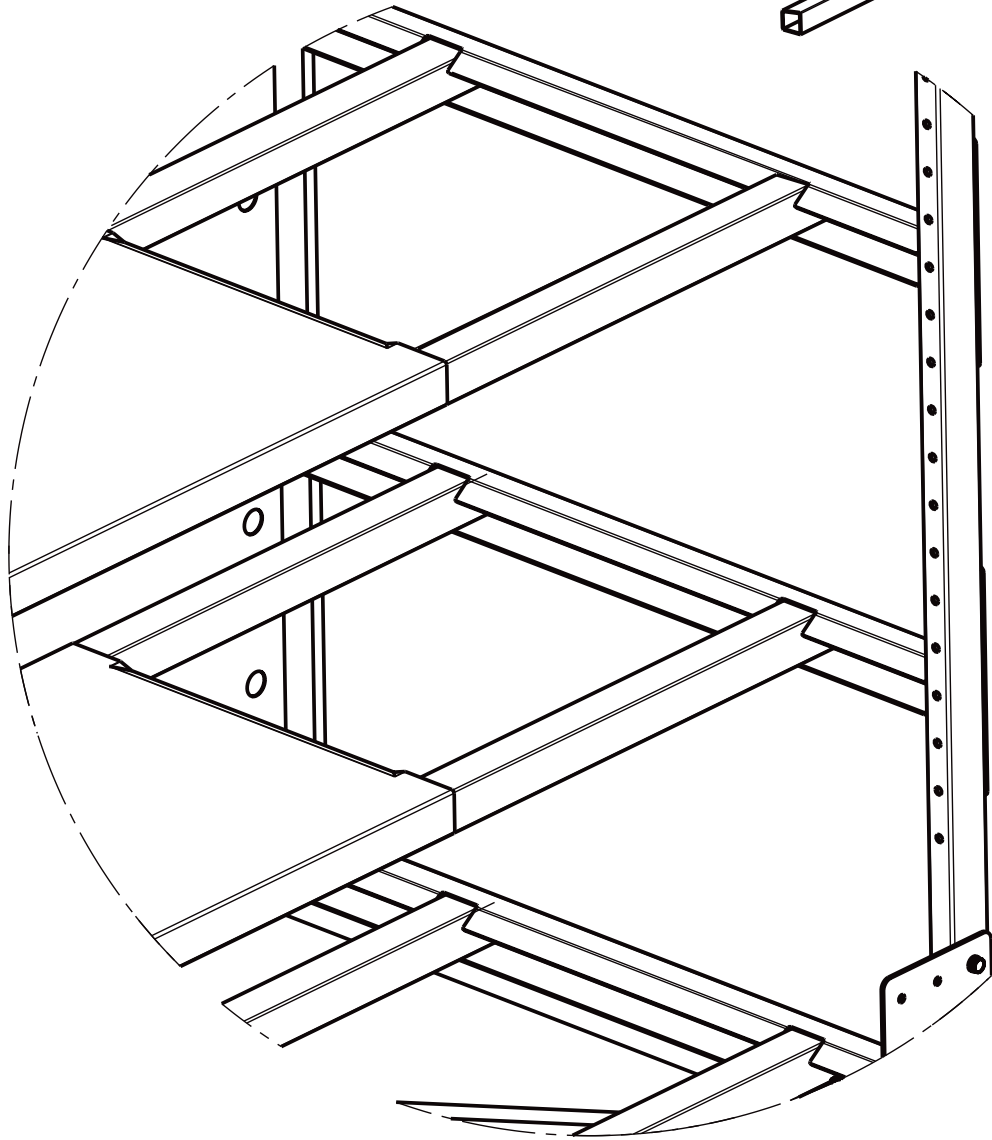
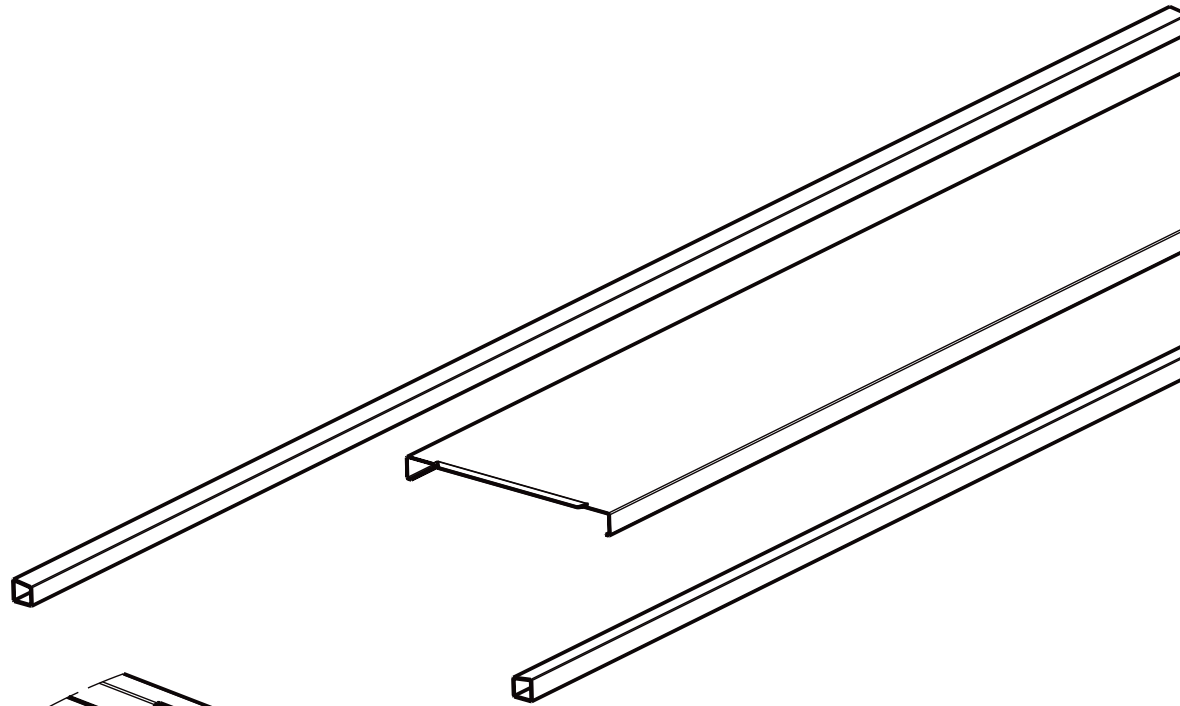
E

D

C

B

A



Detail Mounted Bottom Plate

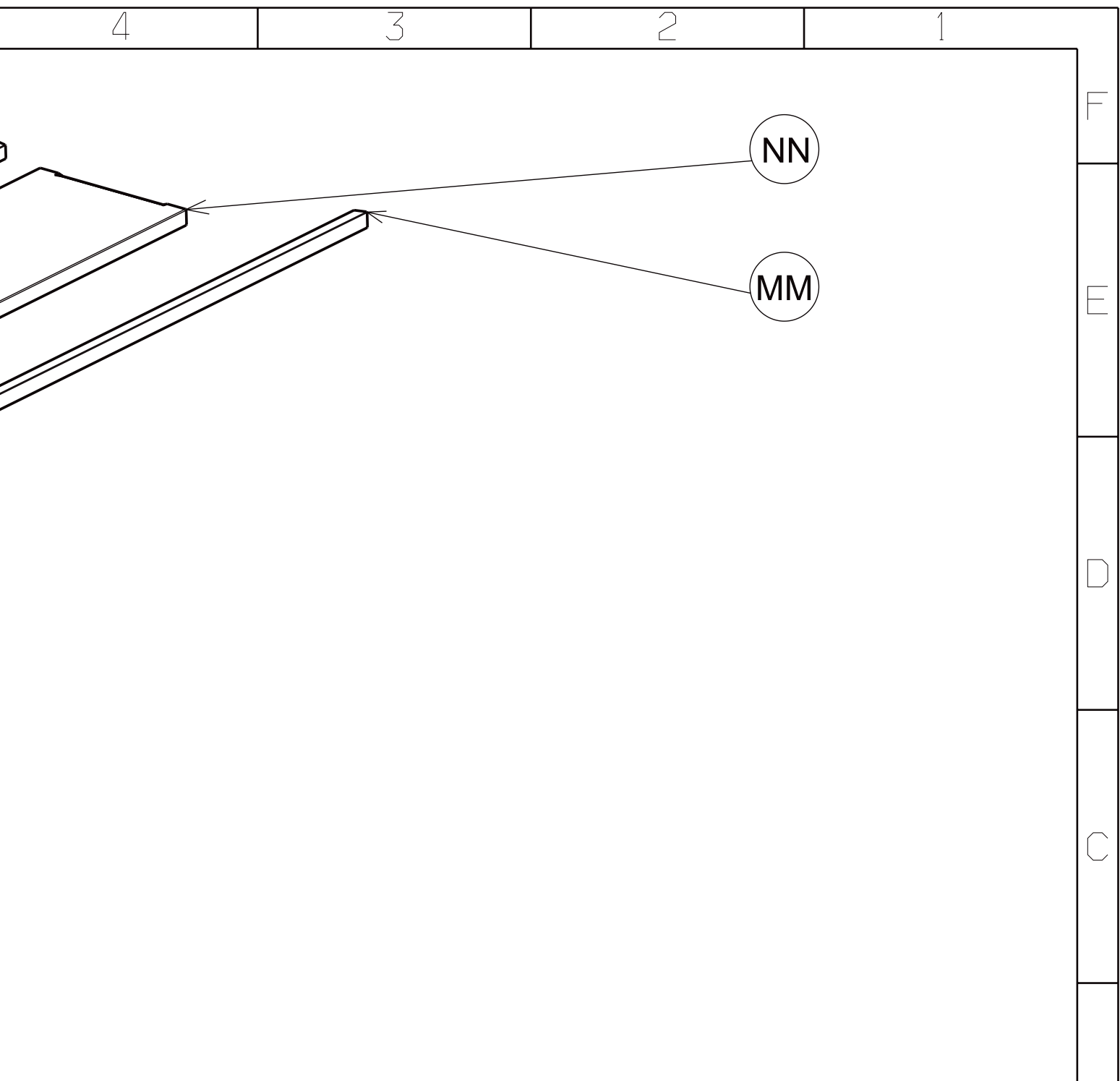
8

7

6

5





Bill of Material: Bottom Plate

Number	Article no.	Part name
MM	K3-012-024	C-Profile
NN	K3-014-012	Bottom Plate

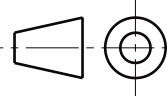
EXPLODED BOTTOM PLATE

**KAYAKOMAT™**

BY POINT 65 SWEDEN

COPYRIGHT POINT 65 SWEDEN AB

1ST ANGLE PROJ  
DIMENSIONS ARE  
IN MILLIMETERS



General tollerances according  
ISO 2768-M

F  
E  
D  
C  
B  
A

2022-01-12

4

3

2

1

8

7

6

5

F

E

D

C

B

A

3 pc M8x70 for K3-010



3x Long chain



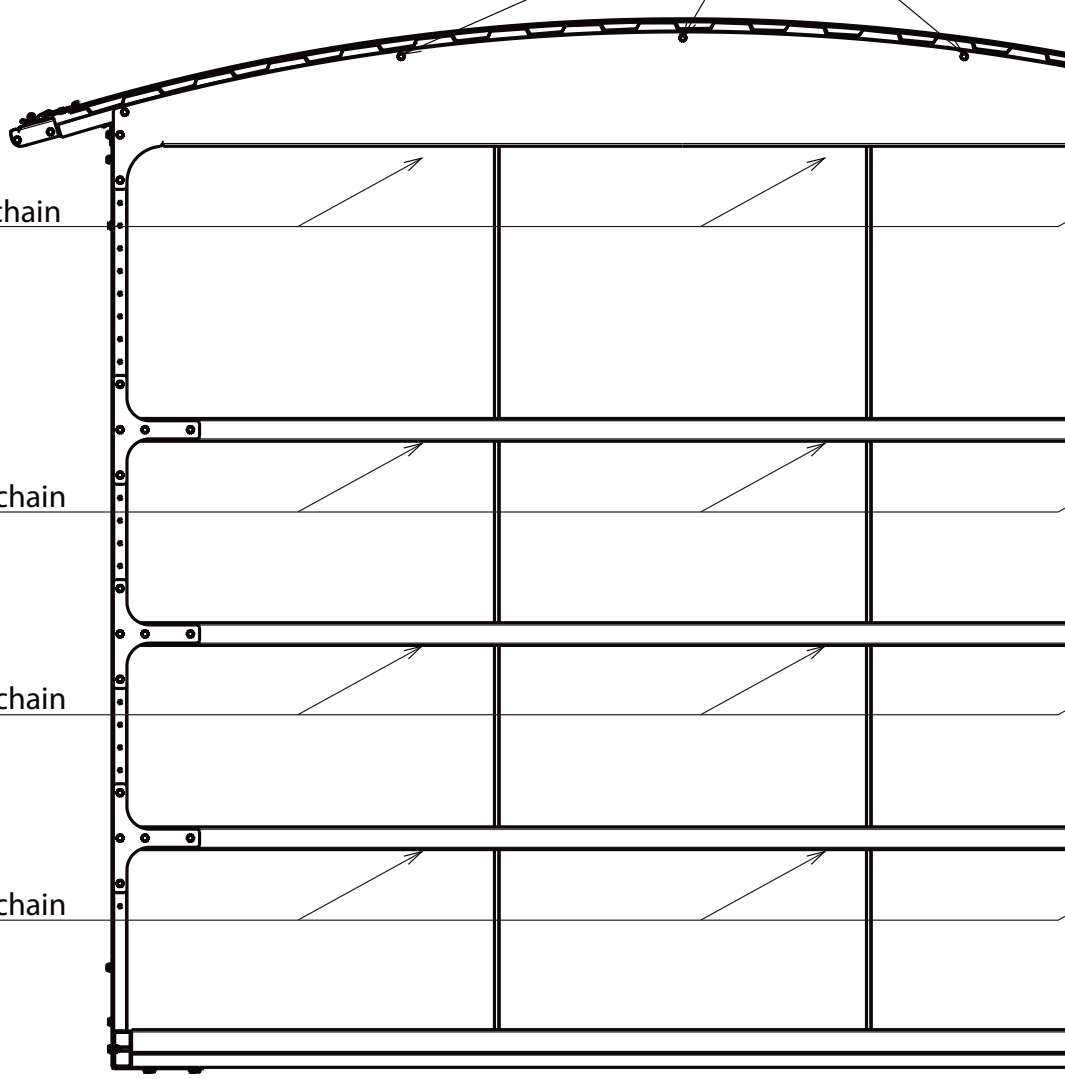
3x Short chain



3x Short chain



3x Short chain



8

7

6

5

4

3

2

1

F

E

D

C

B

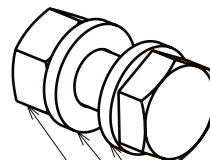
A

3 pc M8x70 for K3-017

17 pc M8x20 on side of K3-006  
(Mirrored on other side)

6 pc M8x20 for K3-016

Principle fasteners  
(Same for all)



Screw

Washer (x2)

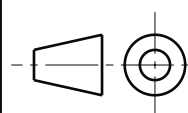
Nut

FASTENERS 2

**KAYAKOMAT™**

BY POINT 65 SWEDEN

COPYRIGHT POINT 65 SWEDEN AB



1ST ANGLE PROJ

DIMENSIONS ARE  
IN MILLIMETERS

General tollerances according  
ISO 2768-M

4

3

2

1

2022-01-12

8

7

6

5

F

E

D

C

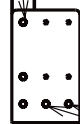
B

A



2pc M8x20 on K3-007  
(Mirrored)

5pc M8x20 on front of K3-006  
(Mirrored on other side)



8

7

6

5

4

3

2

1

F

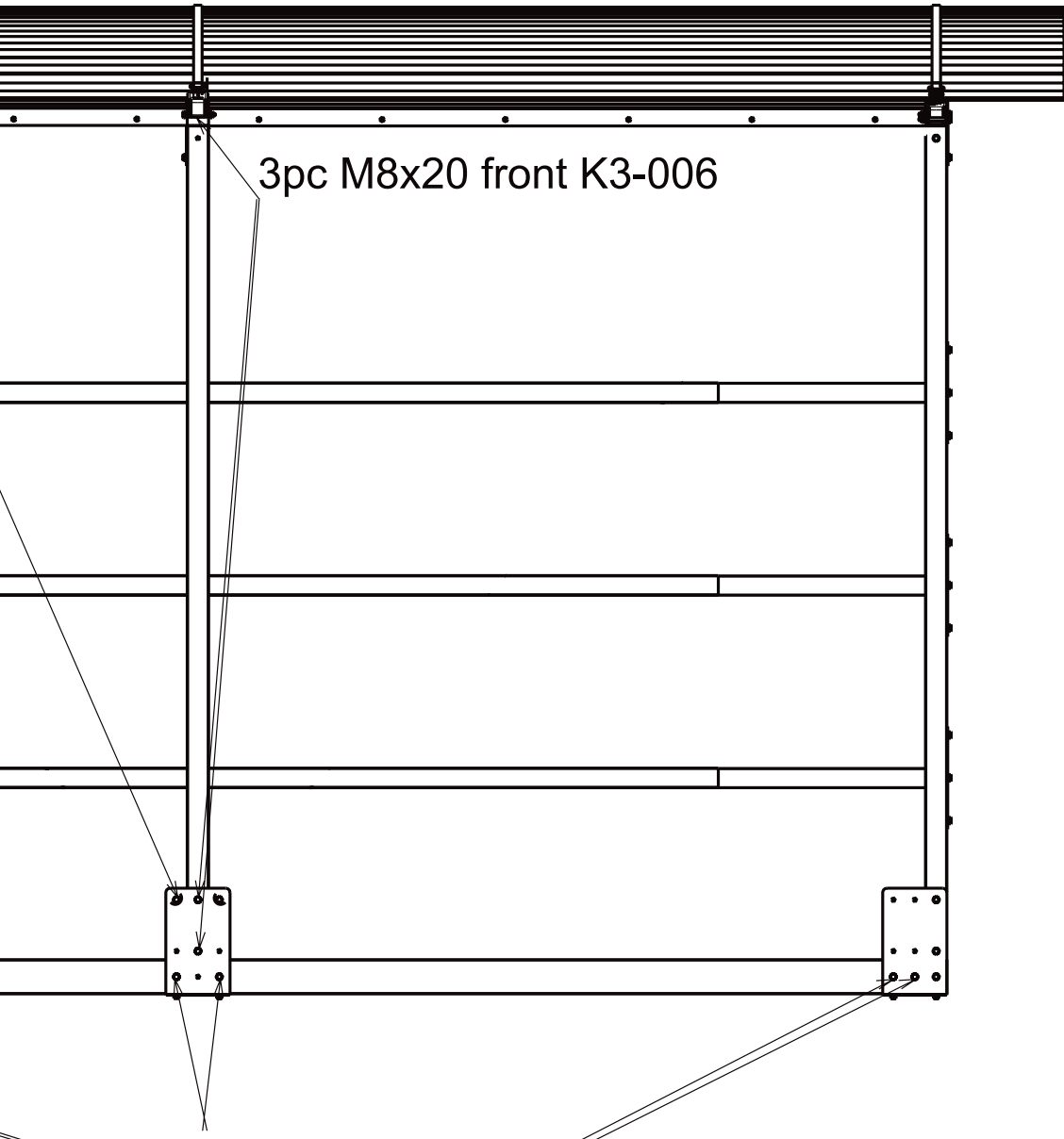
E

D

C

B

A



3pc M8x20 front K3-006

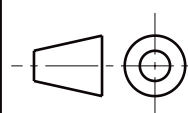
6pc M8x70 for K3-005

FASTENERS 3

**KAYAKOMAT™**

BY POINT 65 SWEDEN

COPYRIGHT POINT 65 SWEDEN AB



1ST ANGLE PROJ

DIMENSIONS ARE  
IN MILLIMETERS

General tollerances according  
ISO 2768-M

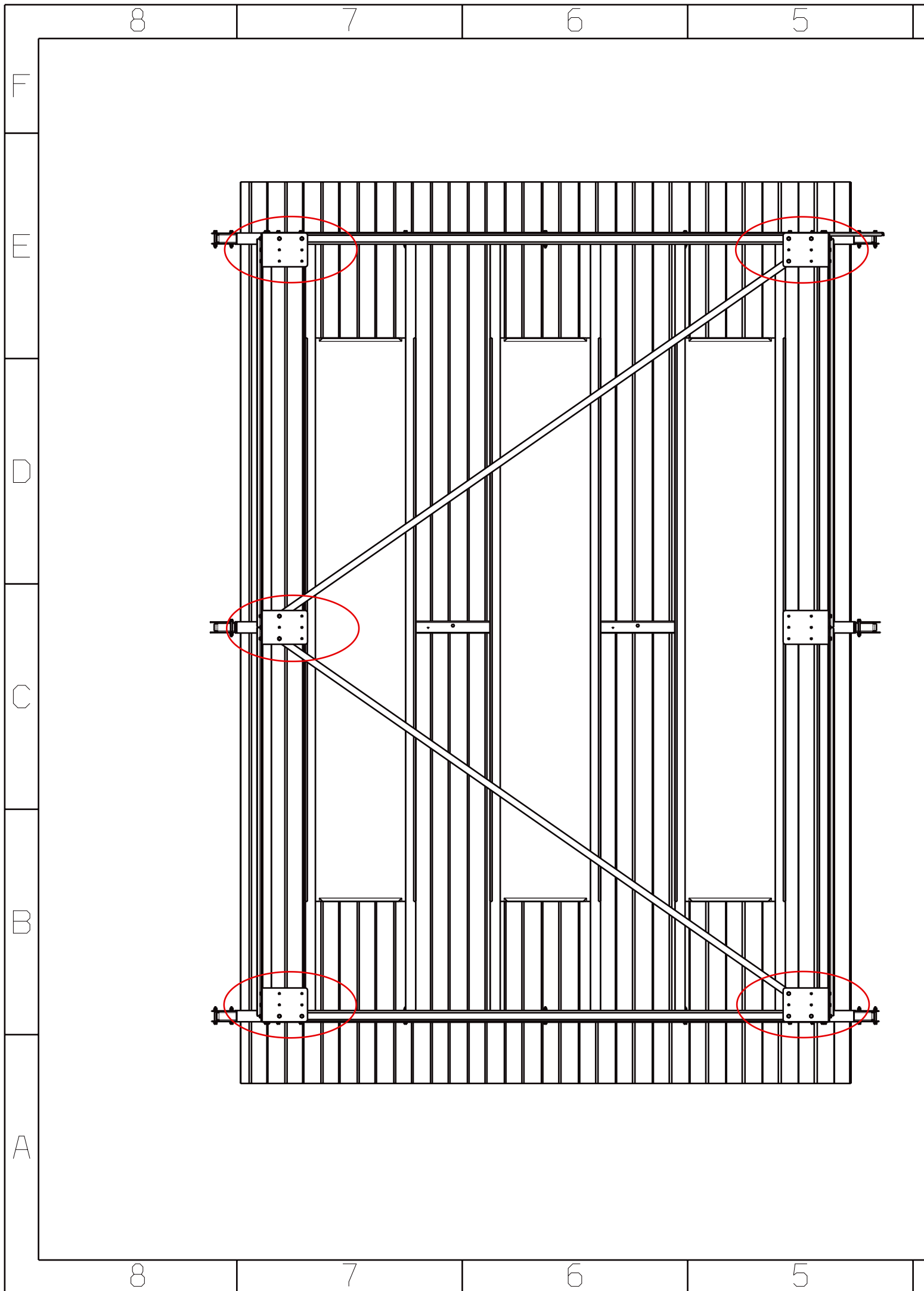
4

3

2

1

2022-01-12



4

3

2

1

F

E

D

C

B

A

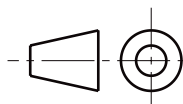
12pc M8x50 for K3-005

FASTENERS 4

**KAYAKOMAT™**

BY POINT 65 SWEDEN

COPYRIGHT POINT 65 SWEDEN AB



1ST ANGLE PROJ  
DIMENSIONS ARE  
IN MILLIMETERS

General tolerances according  
ISO 2768-M

4

3

2

1

2022-01-12



**Se montage  
manual video  
SVENSKA**



**Watch video  
assembly manual  
ENGLISH**



**Video Montage-  
anleitung ansehen  
DEUTSCH**



**Ver vídeo manual  
de montaje  
ESPAÑOL**

**KAYAKOMAT<sup>®</sup>**  
**BY POINT 65 SWEDEN**